

# PAX PML30 EXAM LIGHT

The PML 30 minor LED Medical Light is widely used in Hospitals, Outpatient Emergency Treatment, Gynecology, Obstetric, Dental Clinics, Medical Examination & Vet Clinics

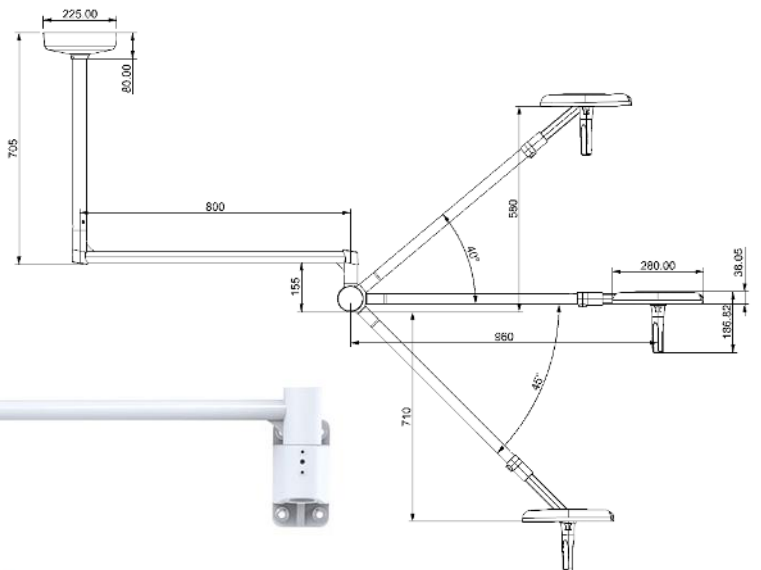
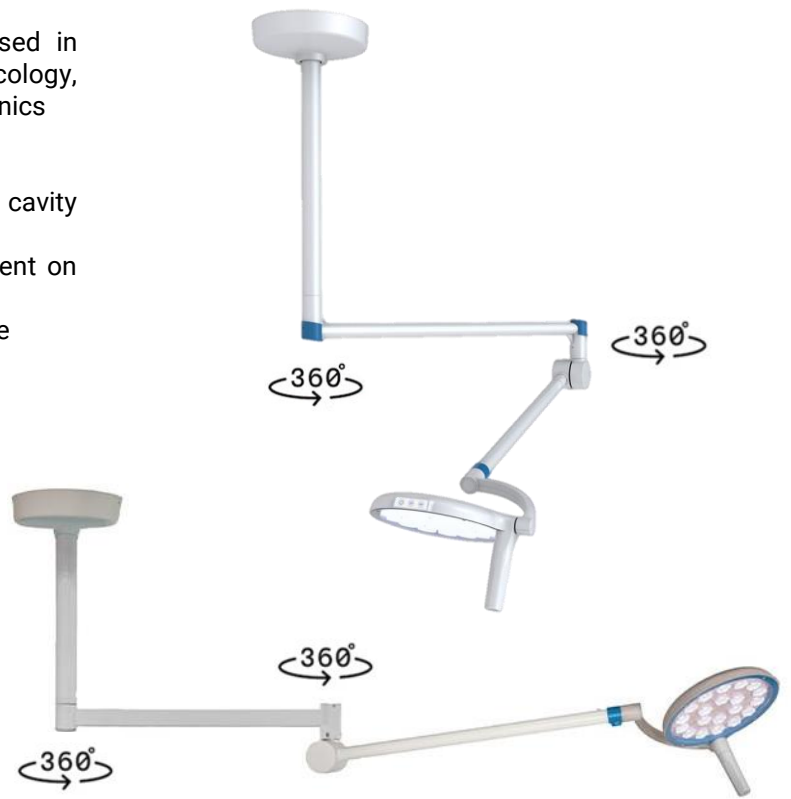
- Long effective service life
- Perfect Optical illumination depth to meet deep cavity lighting requirements
- Brightness control and color temperature adjustment on the control panel
- The detachable handle can be sterilized by autoclave

## Technical Data

Central illumination:	70000Lux (1m)
Number of LEDs:	20
Colour rendering index (Ra):	> 95
Colour temperature (K):	4300k
Light field size (mm):	200mm
LED lifespan (h):	> 50,000
Lamp dome diameter (mm):	300mm
Illumination depth (mm):	> 1800mm
Power consumption (w):	20w

## Available in

- Single Ceiling Mount
- Single Wall Mount
- Single Trolley Mount



Orange Medical Limited  
PO Box 2070  
Raumati Beach, Paraparaumu 5032  
Phone: 0800 990024  
Email: sales@orangenz.co.nz  
www.orangenz.co.nz