



## • M7 EXAMINATION COUCH

Howard Wright's purpose is making human care easier. In developing the M7 Examination Couch our R&D Team designed a product with ease of use and functionality in mind. The simple and intuitive design makes it an ideal table for general purpose treatment and minor procedures.

The M7 Examination Couch is straightforward and practical to use, minimising servicing and user training. The vinyl upholstery is easy to clean and its low product weight, battery back up and TENTE castors enable easy manoeuvring.

### FEATURES

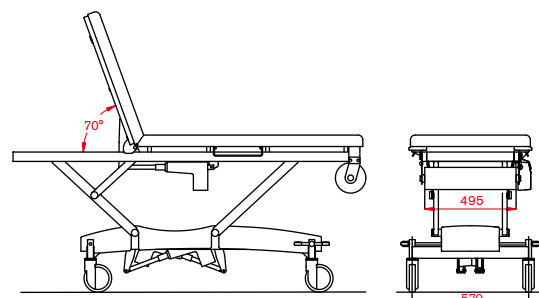
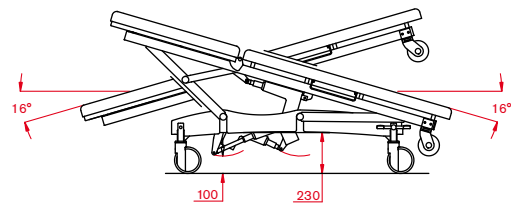
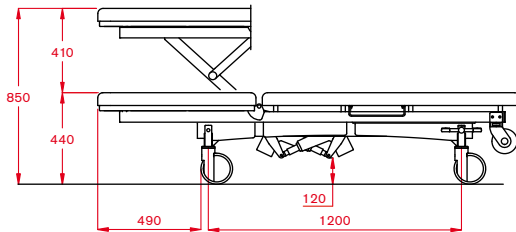
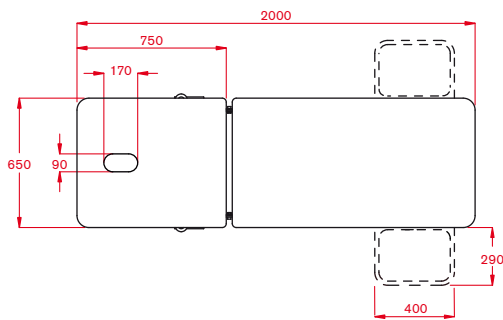
- Fully electric functions with individual lock-out and battery backup
- 300kg Safe Working Load
- 440mm low height and 850mm high height
- High performance LINAK and TENTE components
- Paper roll holder

- Central locking braking with 2 brake pedals and 1 steer castor
- 16° Trendelenburg and reverse Trendelenburg
- Handset storage rails
- Nose hole option
- CPR backrest emergency release option

### ACCESSORIES

- Instrument tray
- Fold down, ergonomic siderails
- IV pole bracket and IV pole
- Storage basket
- Universal accessory mount rail
- Adjustable armboard
- Full range of accessories available





<b>MODEL:</b>	M7
<b>IP RATING:</b>	IPX4
<b>EEC CLASSIFICATION:</b>	Class 1, Non-invasive
<b>MAXIMUM SWL:</b>	300kg (incl. patient & accessories)
<b>BED MASS:</b>	85kg

**EXTRA FEATURES:**

- Durable powdercoated steel structure
- Electric operation with battery backup
- LINAK electric system with 2 or 3 actuators. Approved to EN 60601-1
- Power input: 220-240 VAC, 50-60 Hz, 3.0 A maximum
- Power output: 24 VDC
- Backrest and deck height have safety spline
- Fire retardant vinyl upholstery
- Vinyl upholstery has Anibrase protective finish & outstanding stain and active bacterial resistance

**DIMENSIONS:**

- Overall: L: 2016mm, W: 690mm
  - Overall width (incl. siderails): W: 820mm
  - Patient Platform: L: 2000mm, W: 650mm
  - Backrest: L: 750mm
  - Siderail: L: 1350mm, H: 440mm
  - Space between bars: 100mm
  - Wheel base: 1200mm
  - Wheel track: 570mm
  - Castor diameter: 150mm single wheel standard, other options available
  - Maximum deck height: 850mm, minimum deck height: 440mm
  - Linear translation as bed raises and lowers: 0mm
  - Deck tilt angle (head up and head down): 16°
  - Maximum backrest angle: 70°
- (All angular dimensions are with reference to horizontal)

**UNDER BED CLEARANCES (FOR PATIENT LIFTERS)**

- Elevator to floor: deck low: 120mm, deck high: 100mm
- Bogie to floor: 230mm

**TESTING:**

- Developed in accordance with the requirements of AS/NZS 3200.2.38:2007 & IEC 60601-2-38:1996-10
- Vinyl is flame retardant to standard MVSS-302 (American Auto Test)
- Foam passes BS5852/Source 5 Mod., AS1530/Pt 3, CAL 117 and F.A.R. 25.853/App. F/Part I flammability standard

**COLOUR OPTIONS:**



Parate Road, Bell Block  
 PO Box 3003, Fitzroy  
 New Plymouth 4341  
 New Zealand  
 T. +64 (6) 755 0976  
 F. +64 (6) 755 0908

PO Box 2786  
 Taren Point  
 New South Wales 2229  
 Australia  
 T. 1800 120 727  
 F. 1800 120 717



Howard Wright Limited has a policy of continuous product improvement and reserves the right to change product specifications without notice. Howard Wright Limited is certified to ISO13485:2003.