

## The multi-layer core design delivers therapeutic comfort

The PREMA Ward (Pressure REducing MAttress) offers patients enhanced levels of comfort and care from its multi-layer core design. The mattress can be reversible and rotatable to maximise its service life.

The waterproof and bielastic outer cover is breathable, antimicrobial and fire retardent. All seams are welded and a water resistant zip allows easy maintenance.

The materials used are resistant to a range of cleaners and disinfectants including 0.1% sodium hypochlorite. Asset management and auditing are made easier using the on-product information annotation areas.

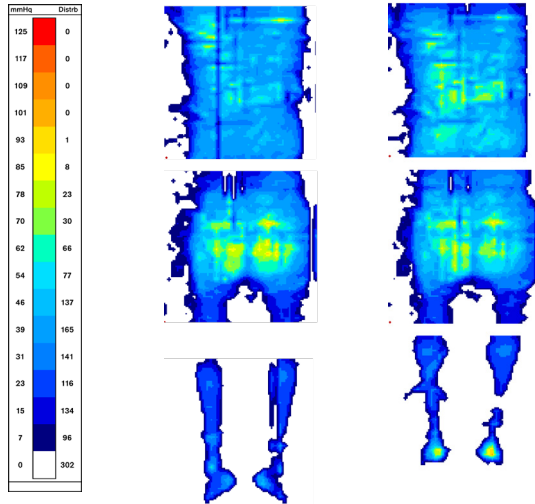
### FEATURES

- High quality multi-layer foams with superior cell structure
- Improved airflow through the mattress
- Waterproof, pliable, breathable and antimicrobial outer cover
- Welded seams with a water resistant zip around 3 sides
- X-ray radiolucent foam and cover materials
- Mattress cover tested to Oeko-Tex Standard®100
- Latex free

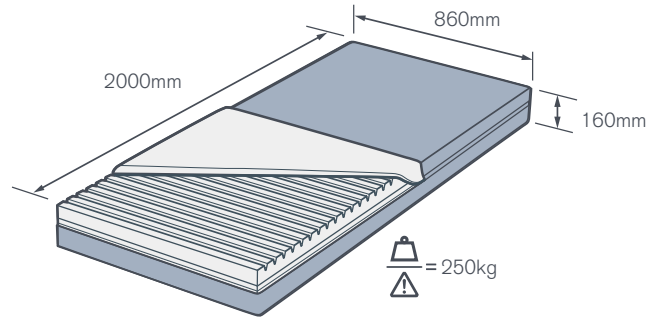
### OPTIONS

- Compatible bolster mattress for M9 WARD bed extension
- Shorter PREMA Compact version is available





Lying flat and semi-recumbent, 62kg subject



**SPECIFICATIONS**

<b>MODEL:</b>	<b>PREMA WARD</b>
<b>PART NUMBER:</b>	HC00103
<b>MAXIMUM SWL:</b>	250kg
<b>MATTRESS MASS:</b>	14kg

**COVER MATERIAL**

- Material type: bielastic
- Composition: 62% PA, 38% PU by weight
- Stretch: 2 way
- Tear strength: 55N warp, 60N weft
- Removable: yes
- Hydrostatic head test: >2m class DIN53.866
- Water resistant: yes
- Bacteria and mite resistant: yes
- Urine and blood resistant: yes
- Air and vapour permeable: yes
- Cleaning: yes

**FOAM CORE**

- Number of layers: 3
- Surface profile: grooves
- Density: 50/38/50 kg/m<sup>3</sup>
- Hardness: 120/200/120 N
- Cleaning: not to be cleaned

**MATTRESS COMPLETE**

- Skin friction & shear risk: low
- Fire retardant BS7177:1996 medium hazard
- Ergocheck pressure test, % of cells >32mmHg: <7% (averaged over 66 - 140kg weight range)
- Comfort: high
- Anti static: no
- Directional: no
- Sides for use: 2

**DIMENSIONS**

- PREMA Ward Mattress: L:2000mm, W:860mm, D:160mm

[www.howardwrightcares.com](http://www.howardwrightcares.com)

Paraite Road, Bell Block  
 PO Box 3003, Fitzroy  
 New Plymouth 4341  
 New Zealand  
 T. +64 (6) 755 0976  
 F. +64 (6) 755 0908

PO Box 2786  
 Taren Point  
 New South Wales 2229  
 Australia  
 T. 1800 120 727  
 F. 1800 120 717



Design and Development, Production, Sales, Distribution and Servicing of Medical Beds, Stretchers and Accessories

Howard Wright Limited has a policy of continuous product improvement and reserves the right to change product specifications without notice. Howard Wright Limited is certified to ISO13485:2016 © Howard Wright Limited, 2019

